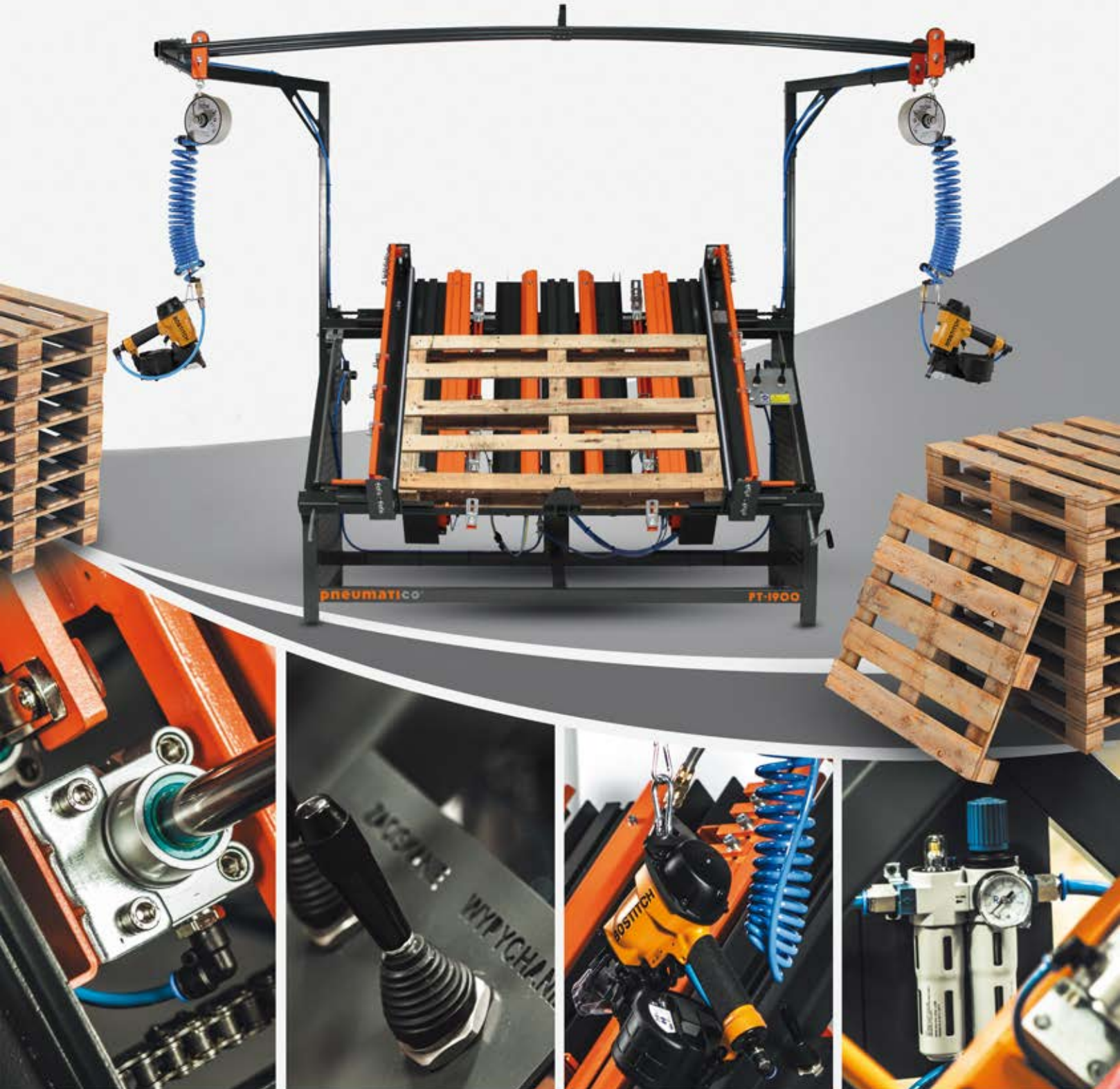


pneumatico[®]
nailing machines

PNEUMATIC TABLE FOR NAILING PALLETS
pneumatico[®] PT-1900
adjustable for various sizes



PNEUMATIC TABLE FOR NAILING PALLETS **pneumatico**® PT-1900

(see also: PT-2800, PT-3300)

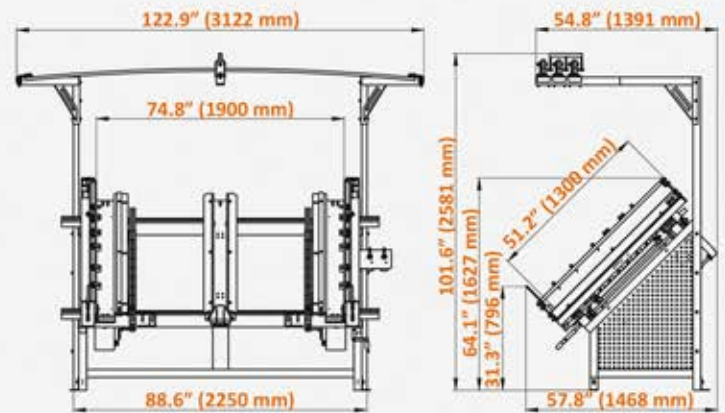


Pneumatico **PT-1900** is a universal machine for nailing wooden pallets of different sizes. Nail guns are suspended from an overhead roller track for easy and flexible access. Pneumatico **PT-1900's** design provides both convenience and operator comfort. It guarantees an increase in production efficiency, saves space (footprint of only 35.5 ft² / 3.3 m²), and reduces the costs related to preparing various templates for different pallet sizes.

During the standard nailing process, two workers are able to produce about 300 pallets during one shift. In contrast, a single operator using the PT-1900 table has the ability to produce 210-230 pallets over the same period of time.

Pneumatico PT-1900:

- Streamlines and facilitates daily workflows, and increases productivity;
- Provides an adjustable template for stringer pallets (up to 5 stringers) and block pallets (up to 9 blocks), including EUR and GMA;
- Can be operated by a single person;
- Is quickly and effortlessly adjusted from one pallet size to another;
- Includes pneumatic functions for clamping blocks and lifting finished pallets;
- Is easy to operate and minimizes operator strain through the suspension of nail guns from the overhead roller track.



The size of Pneumatico PT-1900

PALLET NAILING



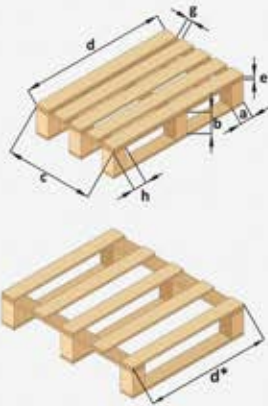
Pallets on blocks

Sequence of operations:

- Place the blocks
- Clamp the blocks (pneumatic clamp)
- Nail the top deck boards to blocks
- Flip the pallet (pneumatic lift)
- Nail the bottom deck boards to blocks
- Lift the finished pallet (pneumatic lift)

Dimensions of each element:

- 2.6" - 5.7" (65 - 145 mm)
- 2.8" - 4.3" (70 - 110 mm)
- Max. 51.2" (1300 mm)
- 35.4" - 74.8" (900 - 1900 mm)*
- 0.5" - 1.1" (12 - 27 mm)
- Min. 0.6" (16 mm)
- 2.6" - 5.7" (65 - 145 mm)



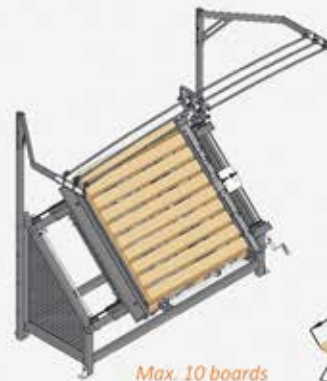
* size **d** min. 23.6" (600 mm) for a double-row pallet

NAILING PARTIAL PALLETS (bottom deck boards with 2 or 3 blocks)

Three additional pallet bottom leg profiles for nailing up to 9 pallet legs at a time.

Dimensions of each element:

- 2.8" - 5.7" (70 - 145 mm)
- 2.8" - 4.7" (70 - 120 mm)
- 35.4" - 74.8" (900 - 1900 mm)
- 0.5" - 1.1" (12 - 27 mm)
- 2.8" - 5.7" (70 - 145 mm)



Pallets on 2, 3, 4 or 5 stringers

Sequence of operations:

- Place the stringers
- Clamp the stringers (pneumatic clamp)
- Nail the top deck boards to stringers
- Lift the finished pallet (pneumatic lift)

Max. 10 boards

Dimensions of each element:

- 1.1" - 5.7" (28 - 145 mm)
- 3.0" - 5.5" (75 - 140 mm)
- Max. 51.2" (1300 mm)
- 31.5" - 74.8" (800 - 1900 mm)
- 1.0" - 4.9" (25 - 125 mm)
- Min. 0.6" (16 mm)

