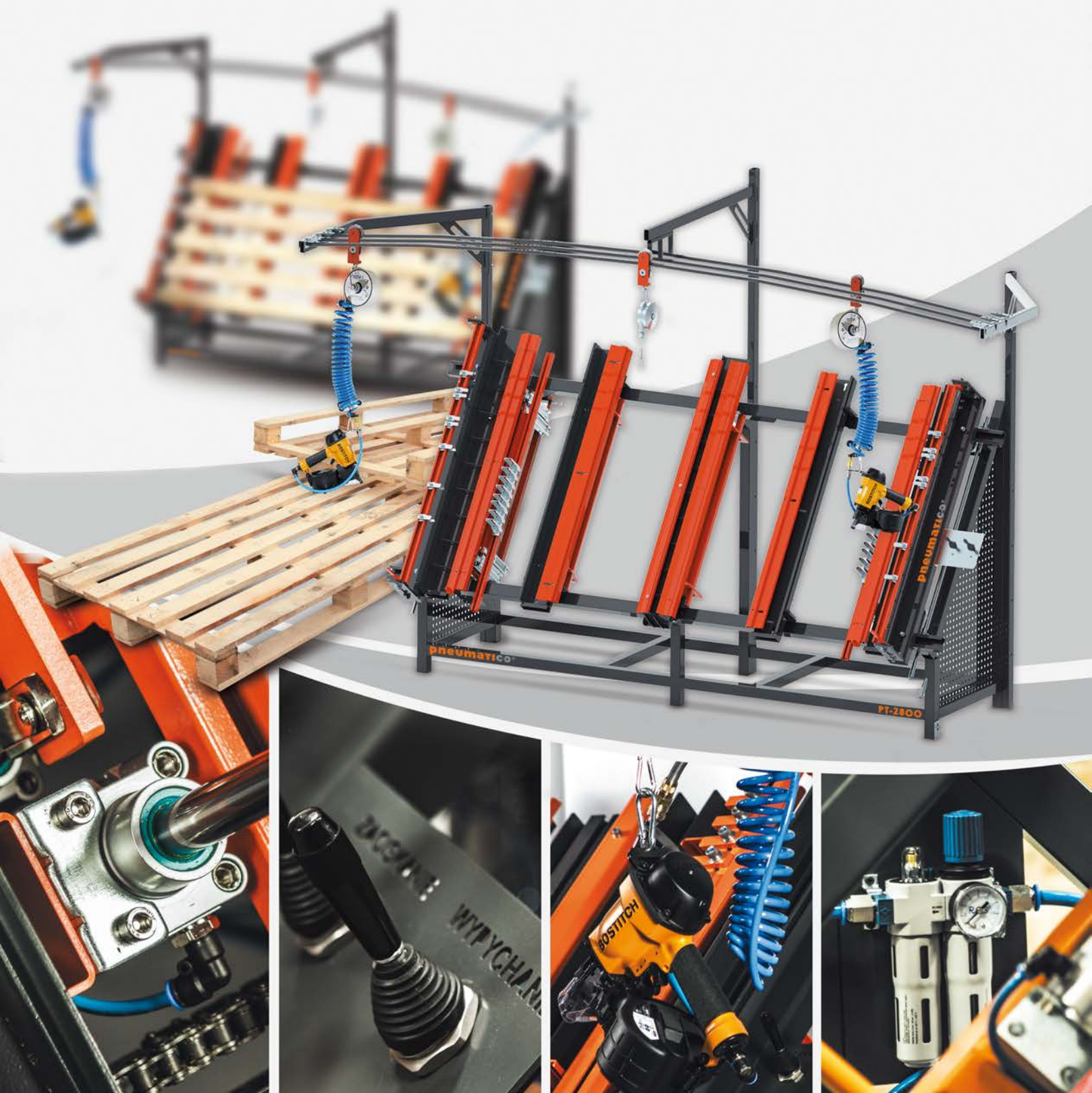


pneumatico® nailing machines

PNEUMATIC TABLE FOR NAILING PALLETS
pneumatico® PT-2800 / PT-3300
adjustable for various sizes



PNEUMATIC TABLE FOR NAILING PALLETS

pneumatico® PT-2800 / PT-3300

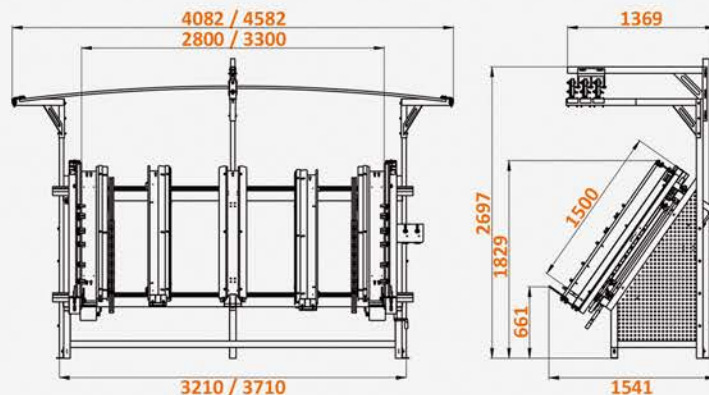
(see also: PT-1900)



Pneumatico **PT-2800 / PT-3300** is a universal nailing machine for wooden pallets of different types. Nail guns are suspended from an overhead roller track for easy and flexible access. Pneumatico **PT-2800 / PT-3300's** design provides both convenience and operator comfort. It guarantees an increase in production efficiency, saves space (footprint of only 4.64 m² / 5.37 m²), and reduces the costs related to preparing various templates for different pallet sizes.

Pneumatico PT-2800 / PT-3300:

- Streamlines and facilitates daily workflows, and increases productivity;
- Provides an adjustable template for stringer pallets (up to 5 stringers) and block pallets (up to 15 blocks), including EUR and GMA;
- Can be operated by a single person;
- Is quickly and effortlessly adjusted from one pallet size to another;
- Includes pneumatic functions for clamping blocks and lifting finished pallets;
- Is easy to operate and minimizes operator strain through the suspension of nail guns from the overhead roller track;



The size of Pneumatico PT-2800 / PT-3300 in mm

PALLET NAILING



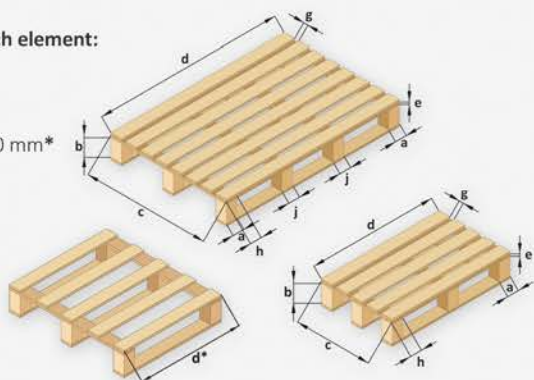
Pallets on blocks

Sequence of operations:

- Place the blocks
- Clamp the blocks (pneumatic clamp)
- Nail the top deck boards to blocks
- Flip the pallet (pneumatic lift)
- Nail the bottom deck boards to blocks
- Lift the finished pallet (pneumatic lift)

Dimensions of each element:

- 65 - 155 mm
- 70 - 110 mm
- Max. 1500 mm
- 900 - 2800/3300 mm*
- 15 - 27 mm
- Min. 16 mm
- 65 - 145 mm
- 70 - 120 mm



* Size **d**. min 600 mm for a double-row pallet



Pallets on 2, 3, 4 or 5 stringers

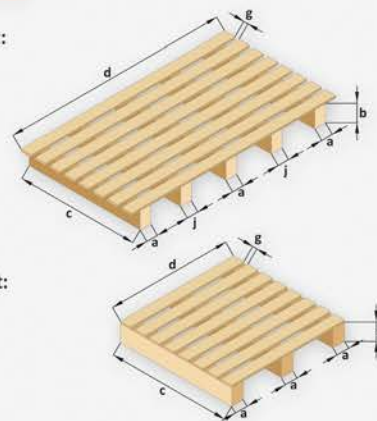
Sequence of operations:

- Place the stringers
- Clamp the stringers (pneumatic clamp)
- Nail the top deck boards to stringers
- Lift the finished pallet (pneumatic lift)

Max. 10 boards

Dimensions of each element:

- 50 - 155 mm
- 75 - 110 mm
- Max. 1500 mm
- 900 - 2800/3300 mm
- Min. 16 mm
- 40 - 120 mm



Dimensions of each element:

- 50 - 155 mm
- 75 - 110 mm
- Max. 1500 mm
- 900 - 2800/3300 mm
- Min. 16 mm

NAILING SEMI-FINISHED PRODUCTS (bottom deck boards with 2, 3, 4 or 5 blocks)

Five additional pallet bottom leg profiles for nailing up to 10 pallet legs at a time.

Dimensions of each element:

- 70 - 145 mm
- 75 - 110 mm
- 900 - 2800/3300 mm
- 12 - 27 mm
- 70 - 140 mm
- 60 - 120 mm

